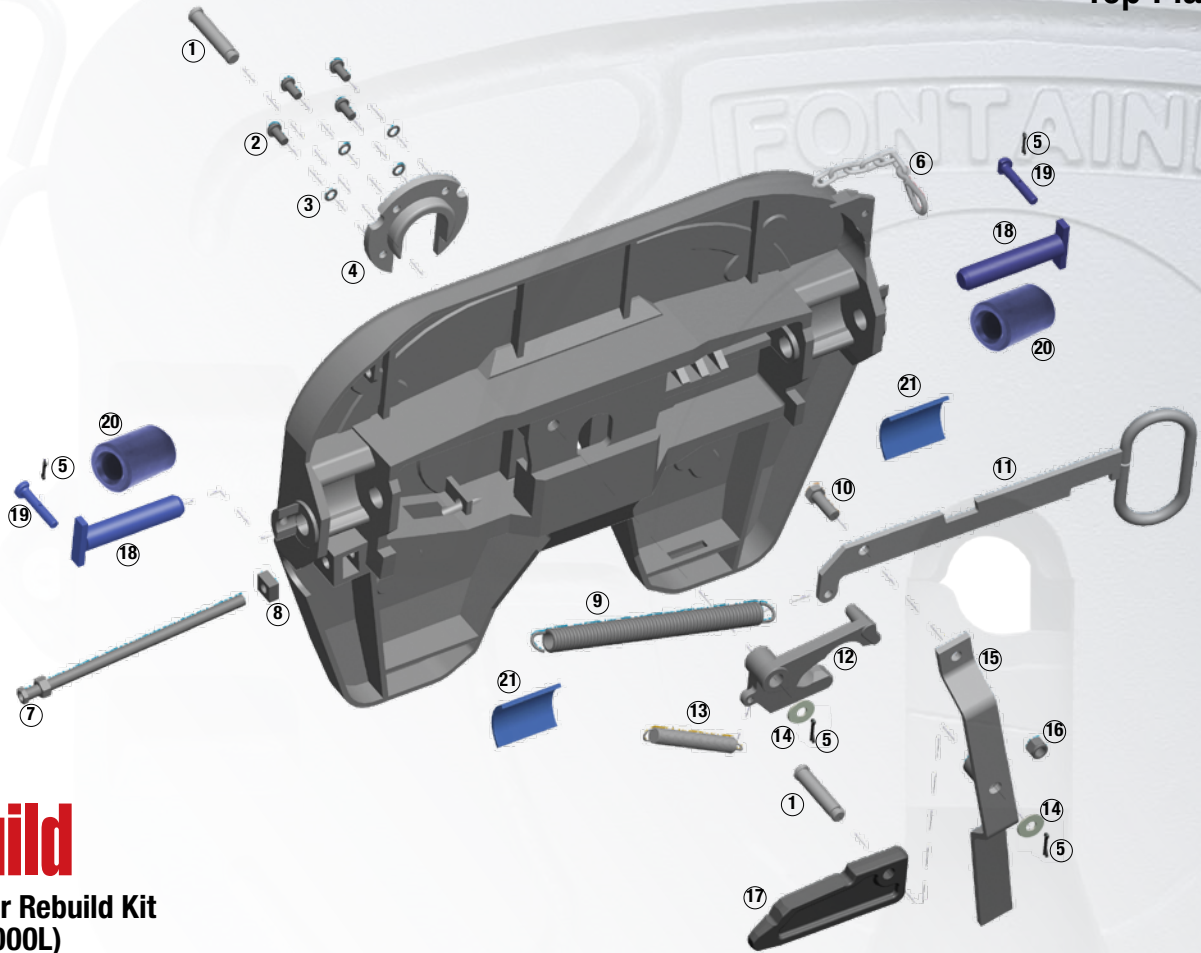


# 3000 Series Top Plate Kits



## Rebuild

### 3000 Major Rebuild Kit (KIT-RX-3000L)



Item	Description	Qty.
①	Pivot Pin	2
②	Hex Socket Button Head Screw, M12X25MM	4
③	Flat Washer, M12	4
④	Wear Ring	1
⑤	Cotter Pin	2
⑥	Security Clip	1
⑦	Adjustment Rod	1
⑧	Adjustment Rod Nut, M16 Square	1
⑨	Main Spring	1
⑩	Hex Head Bolt, M16 X 40MM	1
⑪	Pull Handle	1
⑫	Rotating Locking Jaw	1
⑬	Jaw Spring	1
⑭	Washer, 3/4"	2
⑮	Operating Handle	1
⑯	Nylok Nut, M16	1
⑰	Locking Wedge	1

## Replace

**3000 and NT top plates have been discontinued, however, repair kits are still available.**

**For replacement, order 6000 assemblies with proper mount for your application.**

### Pin and Bushing Kit (KIT-PIN-3000)

Item	Description	Qty.
⑤	Cotter pin	2
⑰	Bracket liners	2
⑱	Bracket pin	2
⑲	Bracket retainer pin	2
⑳	1-piece bushing	2

