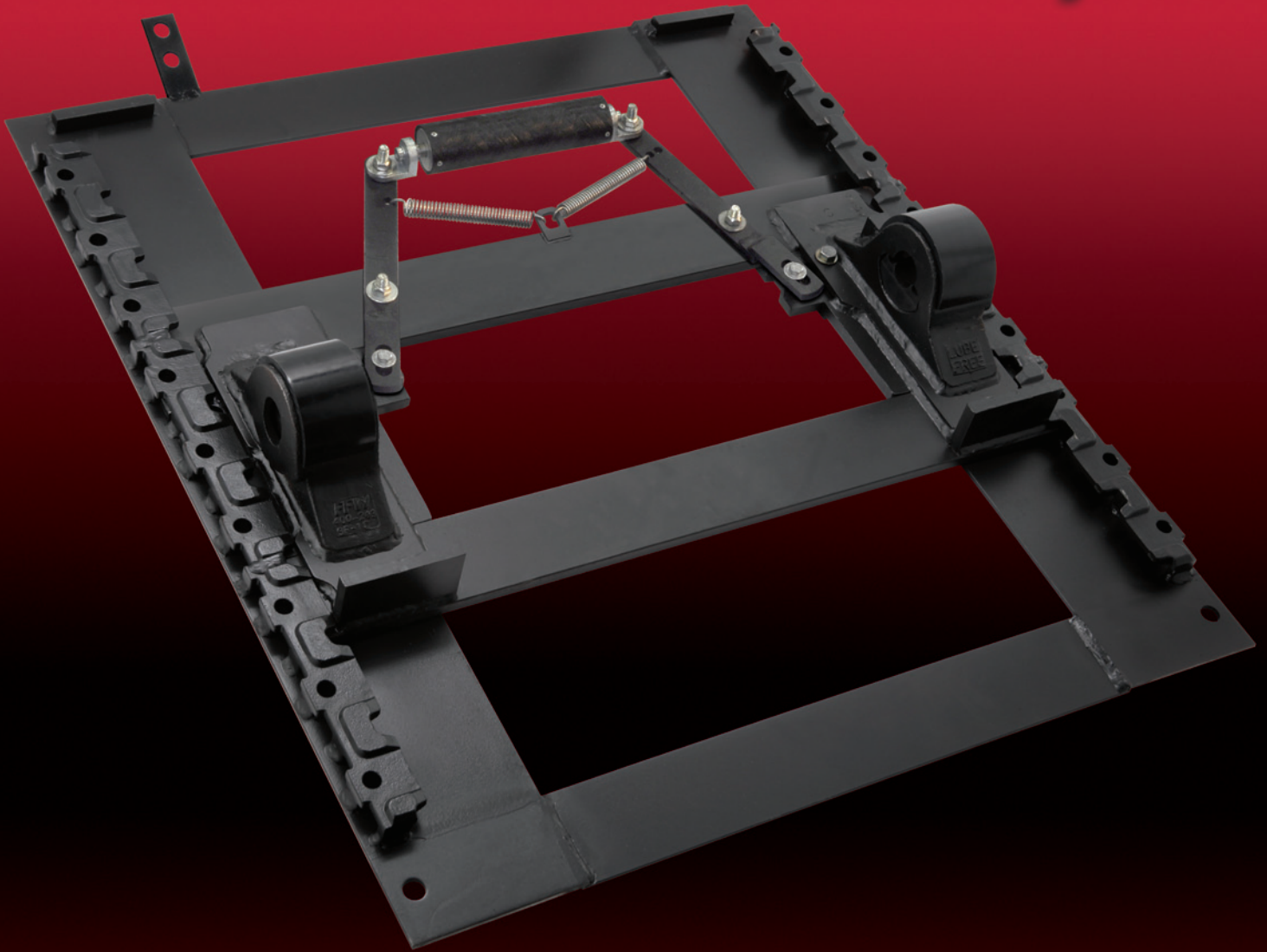


Cut weight and reduce operating cost with the NEW Fontaine® LWB slider system



**The perfect solution for weight-sensitive,
cost-conscious fleets!**



FONTAINE®
FIFTH WHEEL

www.fifthwheel.com • 800-874-9780

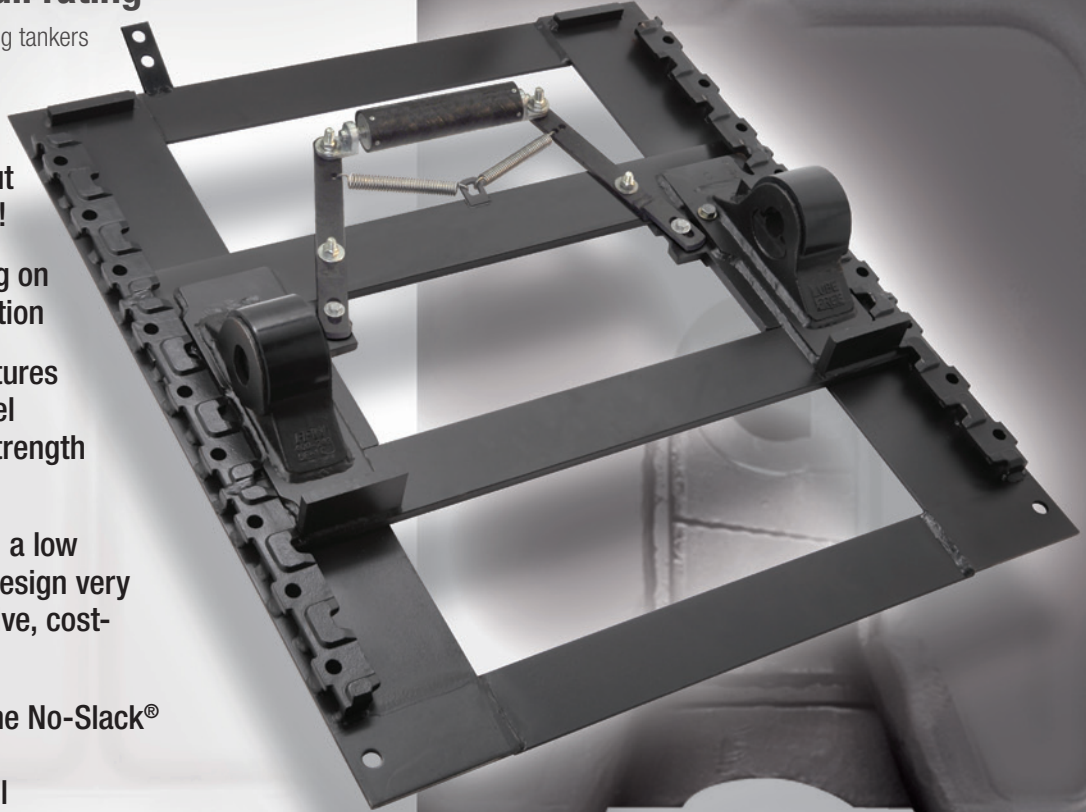
Fontaine® LWB

Light in weight... strong in performance

**Up to 55,000 lb vertical load
150,000 lb drawbar pull rating**

Rated for on-highway use only, including tankers

- **Light Weight Bracket** slide assembly system is lighter than its predecessor without losing an ounce of capacity!
- Save 20 to 50 lbs depending on mounting system configuration
- Computer-aided design features a smaller footprint with steel reinforcement for greater strength and durability
- Improved fuel economy and a low up-charge make this new design very attractive for weight-sensitive, cost-conscious fleets
- Accepts a variety of Fontaine No-Slack® top plates:
 - Model 6000 stamped steel
 - Model 7000 cast steel
 - Model 7000CC cast steel, low lube
- Greaseless bracket liner offers consistent lubrication, reduces wear (no metal-to-metal contact) and cuts maintenance costs
- Two-inch slide increments give you greater versatility for improved payload distribution
- Quad-Lock™ four-point locking system increases locking surface area for greater stability and improved wear characteristics
- Automatically removes slack from the slide assembly for a smoother ride and longer service life
- Dual durometer two-piece bushing for improved shock absorption and easier maintenance
- Available in 12", 16", 24", 36" or 48" slide travel
- Mounting heights are 6¾", 7¼", 8¼", 9¼" and 10¼"




FONTAINE®
FIFTH WHEEL

www.fifthwheel.com • 800-874-9780