

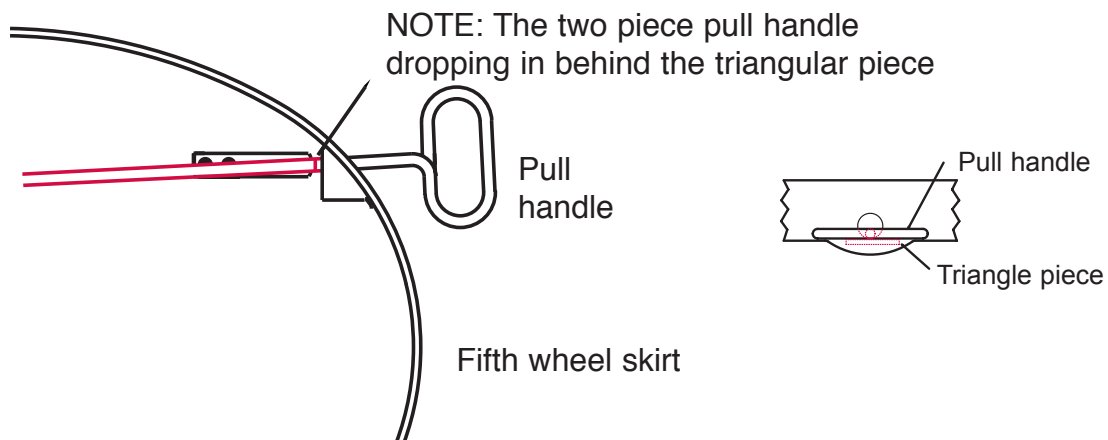
NO-SLACK® SERIES

• Revised April 2004 •

How can I tell if my fifth wheel is locked?

If the wheel is a No-Slack® 5000 or 5092 series the locking jaw and wedge must be fully across the throat of the wheel and the bottom section of the (2) piece pull handle should be in and down behind the triangular piece located just inside the fifth wheel skirt.

Fifth Wheel Closed



Fifth Wheel Not Closed

